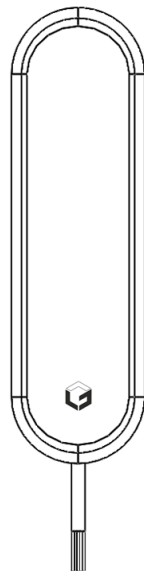




Quick Installation Guide

GoodLinker® Tower Light Sensor TLM-21 / TLM-14 / TLM-04C

Edition 1.0.3, April 2020



Copyright © 2020 GoodLinker Co., Ltd. All rights reserved.

Overview

The GoodLinker® Tower Light Sensor (TLM-21/TLM-14/TLM-04C) provides economical and precise solutions for monitoring machine status needless connect the equipment internal wire. The device package allows for easy implementation by the customer. Typical applications include calculating equipment activation rate, remote mirroring, record history status, and abnormal status alert.

Package Checklist

Before installing the sensor, verify that the package contains the following items:

- 1 x GoodLinker® Tower Light Sensor
- 1 x Quick Installation Guide

Please notify your sales representative if any of the above items are missing or damaged.

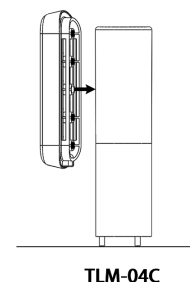
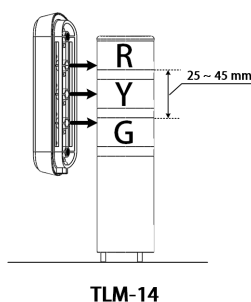
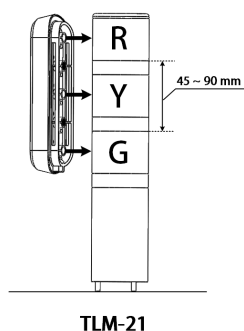
Specifications

Sensor Model	TLM-21 / TLM-14	TLM-04C
Operating Ambient Temperature	-20°C to 50°C	-20°C to 50°C
Operating Humidity Range	90% RH or less, no condensation	90% RH or less, no condensation
Rated Voltage	24V DC	24V DC
Working Current	18 mA	19 mA
Output Current	< 250 mA	< 250 mA
Sensing Method	Three single-color sensor (R, Y, G)	One multi-color sensor
Response Time	30 ms	500 ms
Operation LUX Range	> 250 Lux	> 450 Lux
Output Type	SINK(NPN)	SINK(NPN)
Net Weight	160g (Included 2m signal cable)	150g (Included 2m signal cable)
Warranty	1 year limited warranty	1 year limited warranty

Selection Guide

Please measure the height of tower light layer before installing.

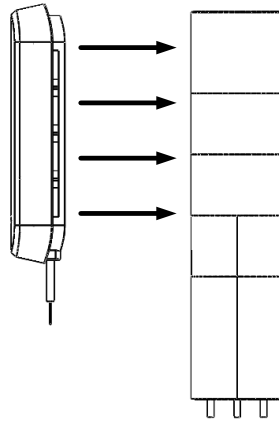
Sensor Model	Suggested Installation and Application
TLM-21	Tower light models (layer height 45mm - 90mm)
TLM-14	Tower light models (layer height 25mm - 45mm)
TLM-04C	Multi-color tower light models



Installation and Removal

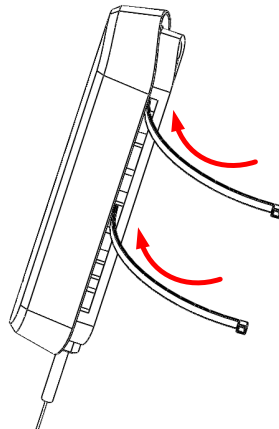
Step 1:

Bring the sensor close to the tower light and align the light tunnels to the illuminant.



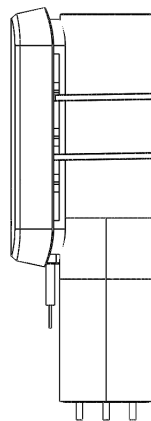
Step 2:

Pass the cable ties through the fixed structure on the side of the sensor.

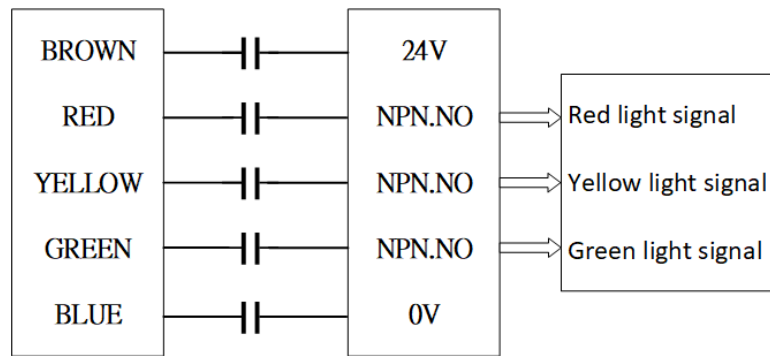


Step 3:

Attach the sensor on the tower light surface with cable ties.



Wiring Diagram



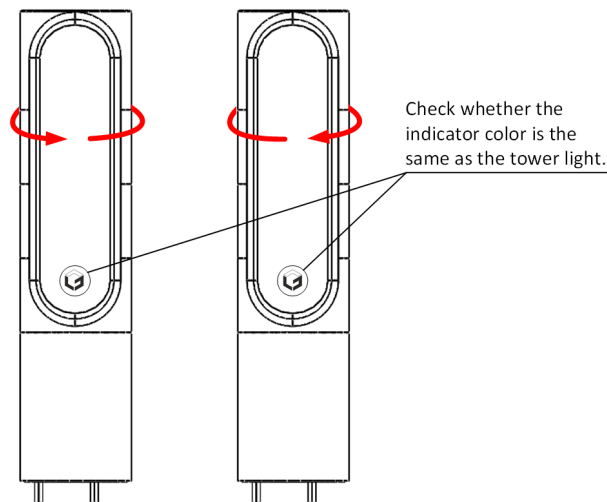
Attentions

- Make sure the lumen value of the tower light greater than the operating range before installing.
- Wipe clean the dust on the surface of the tower light with a dry cloth before installing.
- Be sure to align the light tunnels to the illuminant.
- Do not spray water or place it in a humid environment to avoid the sensor short circuit.

FAQ

Q1:The color indicator displays a different color signal to the actual signal.

A1:Please adjust the sensor to a better position on the tower light.



Q2:The color indicator lose efficacy

Condition 1.

If the color indicator is malfunction but the output signal function still working. The tower light sensor function is not affected. You can contact the manufacturer for repair.

Condition 2.

If the color indicator is not working and there's no output signal from the sensor. Please contact the manufacturer for repair.